

|       |               |
|-------|---------------|
| Date: | Project Name: |
| Type: | Part Number:  |



# MAKO SERIES

## LED VAPOR TIGHT STRIP




### DESCRIPTION

RENO Lighting's Vapor Tight Strip is housed in polycarbonate silicon perimeter gasket with brackets for mounting. Engineered for powerful lighting. The Reno linear vapor tight has an IP66 protection grade and is DLC and UL certified, making it a great lighting solution for your industrial application.

### FEATURES

- DLC Standard
- 0-10V dimming control compatible
- Surface & Suspended Mounting options via supplied clamps inside the fixture body
- Operating temperature: -22°F to +122°F (-30°C to +50°C)
- Protection Grade IP66
- One-piece polycarbonate housing body and frosted polycarbonate lens
- Suitable for Wet location
- CRI >80
- Rated Lifetime L70(hrs): >70,000
- 10 year warranty

### APPLICATIONS

-  Low Bay Application
-  Parking Garage
-  Stairwell



|       |               |
|-------|---------------|
| Date: | Project Name: |
| Type: | Part Number:  |

## SPECIFICATION

| ORDER# | MODEL#                  | WATTS      | VOLTAGE (V) | LUMENS                | DIMMABLE | CCT (K)   |
|--------|-------------------------|------------|-------------|-----------------------|----------|-----------|
| R33110 | RENO-LVP4-DV-MW-MCCT-R1 | 25/35/45W  | 120-347V    | 3375/4725/6075 lm     | 0-10V    | 35/40/50K |
| R33111 | RENO-LVP4-DV-MW-MCCT-R2 | 50/60/66W  | 120-347V    | 6500/7800/8580 lm     | 0-10V    | 35/40/50K |
| R33108 | RENO-LVP8-MW-DV-MCCT-R3 | 60/80/100W | 120-347V    | 8100/10,800/13,550 lm | 0-10V    | 35/40/50K |

## ACCESSORIES OPTIONS

| ORDER# | MODEL#      | DESCRIPTION          |
|--------|-------------|----------------------|
| R83004 | RENO-EM-C08 | Emergency LED Driver |

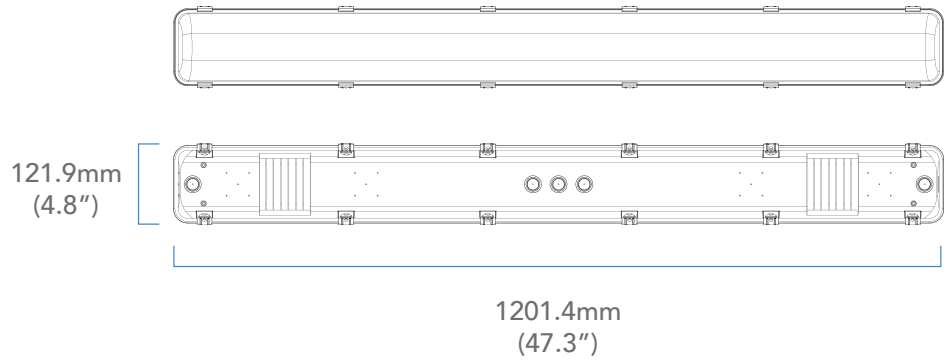
## SENSOR OPTIONS

| ORDER# | MODEL#               | DESCRIPTION                                     |
|--------|----------------------|---|
| R74002 | RENO-SENSOR-PIR-H-EX | For external mounting when installed above 13FT |

|       |               |
|-------|---------------|
| Date: | Project Name: |
| Type: | Part Number:  |

## DIMENSIONS

### 4FT



### 8FT

